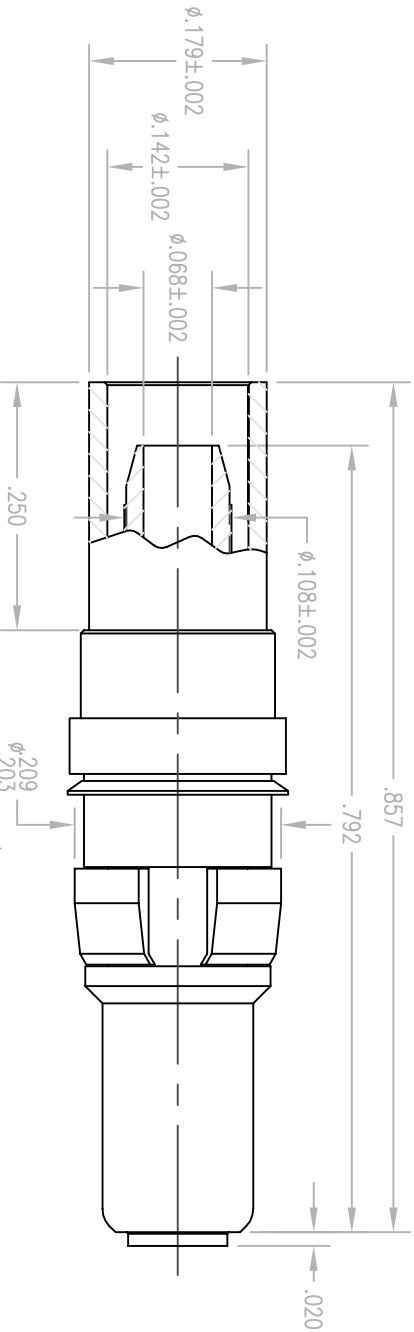


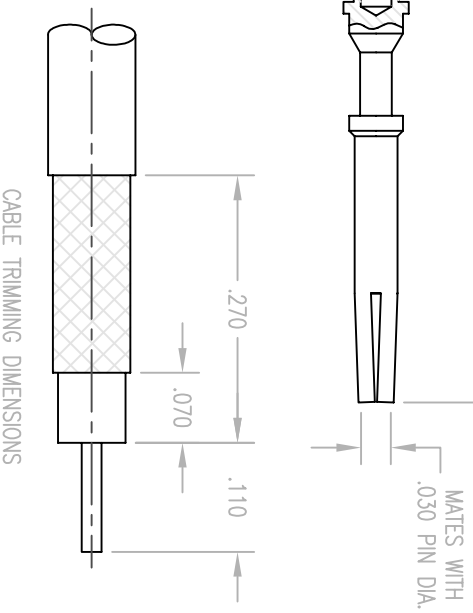
THIS IS A CONTROLLED DOCUMENT AND IS SUBJECT TO CHANGE
CONTACT ENGINEERING DEPARTMENT FOR LATEST REVISION

DWG. NO. 290-910-0631G



NOTES:

1. MATERIAL:
CLIP RING: BERYLLIUM COPPER, PER ASTM B194
CENTER CONTACT: BERYLLIUM COPPER, PER ASTM B196
INSULATOR: TEFLON, ASTM D1710
SPRING WASHER: PHOSPHOR BRONZE, PER ASTM B103
FERRULE & BODY: BRASS PER ASTM B16
2. FINISH:
BODY & CENTER CONTACT: GOLD, .000030 MIN PER MIL-G-45204 OVER
.000050 MIN, NICKEL PER QQ-N-290
FERRULE & WASHER: .0000050 GOLD OVER NICKEL
CLIP RING: NICKEL PLATE, PER QQ-N-290
3. ELECTRICAL:
VSWR: 1.35 MAX
FREQUENCY RANGE: 0 - 1500MHZ
DIELECTRIC WITHSTANDING VOLTAGE: 1000 VRMS.
4. FOR USE WITH RG-316 DOUBLE SHIELDED OR EQUIVALENT CABLE.
5. FOR CABLING PROCEDURE USE 9-07.



UNLESS OTHERWISE SPECIFIED

ALL DIMENSIONS ARE NOMINAL AND
FOR REFERENCE ONLY.
DIMENSIONS IN INCHES
DO NOT SCALE PRINT



RETCOONN

A SUBSIDIARY OF SPM
199 W. BEAR ROAD
TORRINGTON, CT 06790
TEL (860) 498-1220 FAX (860) 498-3307

SALES DRAWING

TITLE

RDM - HF PLUG CAPTIVE CONTACT (CRIMP/CRIMP)

REV.	DESCRIPTION OF CHANGE	DATE	DRN	APPR	MATERIAL FINISH	DRAWN	DATE	CHECKED	SCALE	FSCM	REV.
D	ECN 2228	4/13/99	JMC			JED	5/12/97	JMC	6:1	FSCM 00WU4	D
C	ECN 2215	3/29/99	JED	JMC							
B	ECN 1834	9/3/97	KJT	JMC							
A	RELEASED PER NPR 495	7/21/97	KJT	AT							
REVISIONS											

THIS INFORMATION IS PROPRIETARY AND CONFIDENTIAL. IT IS DISCLOSED TO YOU ON CONDITION NO FURTHER DISCLOSURE IS MADE TO OTHER THAN RETCONN PERSONNEL WITHOUT WRITTEN AUTHORIZATION FROM RETCONN INC., TORRINGTON, CT.